

Full HD Varifocal Lens Indoor Box Network Camera

Panasonic WV-U1132 captures the highest quality images in even very challenging and dynamic environments. Intelligent Auto (iA) monitors scene dynamics and motion to adjust key camera settings automatically in real-time reducing distortion such as motion blur on moving objects. By adopting H.265 Smart Coding technology, bandwidth efficiency is intelligently increased for longer recording and less storage.

Extreme image quality allows evidence to be captured even under challenging conditions

- Auto Shutter speed control for fast moving objects
- Sharp and clear images of a walking person day & night
- Outstanding low light performance in true color with low noise for night time applications
- Super Dynamic 120dB for backlit situations involving headlights and shadows on night streets

Extreme bandwidth compression with Panasonic H.265 Smart Coding

- Longer recording and less storage compared to any H.264 based compression techniques
- Self-learning ROI* encoding (Auto VIQS) detects movement within the image and compresses the areas with little motion in order to reduce transmitted data while maintaining the quality of the image.

*Region of Interest

Key Features

- Full HD 1080p up to 30fps
- 2.5x built-in motorized zoom and motorized focus lens
- iA (intelligent Auto)
- Super Dynamic 120dB
- Color night vision (0.006 to 0.1 lx)
- H.265 Smart Coding
- Corridor mode
(90 degrees or 270 degrees in image rotation)
- Onvif Profile G / T

Industry examples

- Retail
- Education
- Public safety
- Bank / Hospital / Building



i-PRO

Specifications

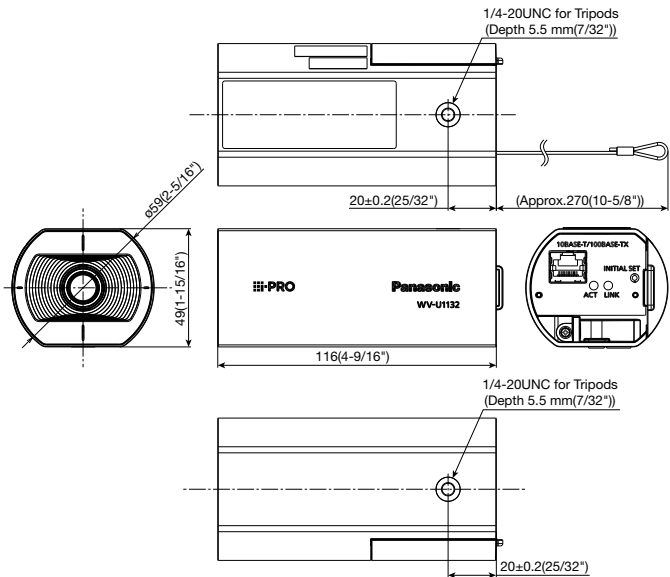
Camera	Image Sensor	Approx. 1/3 type CMOS image sensor		
	Minimum Illumination	Color : 0.1 lx, BW: 0.04 lx (50IRE, F2.0, Maximum shutter: Off (1/30s), AGC: 11) Color : 0.006 lx, BW: 0.0025 lx (50IRE, F2.0, Maximum shutter: max. 16/30s, AGC: 11) ^{*1}		
	White Balance	ATW1/ ATW2/ AWC		
	Maximum shutter	[30fps mode] Max. 1/10000 s to Max. 16/30 s [25fps mode] Max. 1/10000 s to Max. 16/25 s		
	Intelligent Auto	On / Off		
	Super Dynamic	On / Off, The level can be set in the range of 0 to 31.		
	Dynamic Range	Max.120 dB (Super Dynamic: On, Level: 31)		
	Adaptive Black Stretch	—		
	Back light compensation / High light compensation	BLC (Back light compensation) / HLC (High light compensation) / Off (only when Super dynamic / Intelligent Auto: Off)		
	Fog compensation	On / Off (only when Intelligent auto / auto contrast adjust: Off)		
	Maximum gain (AGC)	The level can be set in the range of 0 to 11.		
	Color/BW (ICR)	Off / On / Auto1 (Normal) / Auto2 (IR Light) / Auto3 (SCC)		
	Digital Noise Reduction	The level can be set in the range of 0 to 255.		
	Video Motion Detection (VMD)	On / Off, 4 areas available		
	Scene Change Detection(SCD)	On / Off, 1 areas available		
	Privacy Zone	On / Off, Up to 8 zones available		
	Image rotation ^{*2}	0° (Off) / 90° / 180° (Upside-down) / 270°		
	Camera Title (OSD)	On / Off, Up to 20 characters (alphanumeric characters, marks)		
	Lens	Focal length	2.9 mm – 7.3 mm(1/8inches-9/32inches)	
		Optical zoom	2.5x (Motorized zoom / Motorized focus)	
Extra optical zoom		2.5x - 3.8x (when resolution is 1280x720)		
Digital (electronic) zoom		Choose from 3 levels of x1, x2, x4		
Angular Field of View		[16 : 9 mode] Horizontal : 44° (TELE) – 102° (WIDE), Vertical : 24° (TELE) – 56° (WIDE) [4 : 3 mode] Horizontal : 36° (TELE) – 84° (WIDE), Vertical : 27° (TELE) – 63° (WIDE)		
DORI	Maximum Aperture Ratio	1 : 2.0 (WIDE) – 1 : 3.0 (TELE)		
	Focusing Range	1 m (39-3/8 inches) – ∞		
	Detect (25ppm / 8ppf)	Wide: 35.5 m / 116.6 ft, Tele: 98.5 m / 323.1 ft		
	Observe (62.5ppm / 19ppf)	Wide: 14.2 m / 46.6 ft, Tele: 39.4 m / 129.2 ft		
	Recognize (125ppm / 38ppf)	Wide: 7.1 m / 23.3 ft, Tele: 19.7 m / 64.6 ft		
Browser GUI	Identify (250ppm / 76ppf)	Wide: 3.6 m / 11.7 ft, Tele: 9.8 m / 32.3 ft		
	Camera Control	Brightness		
Network	GUI / Setup Menu Language	English, Italian, French, German, Spanish, Portuguese, Russian, Chinese, Japanese		
	Network IF	10Base-T / 100Base-TX, RJ45 connector		
Network	Resolution	[16 : 9 mode] 1920x1080, 1280x720, 640x360, 320x180 [4 : 3 mode] 1600x1200, 1280x960, VGA, QVGA		
	H.265	Constant bit rate / VBR / Frame rate / Best effort		
	Transmission Mode	Unicast / Multicast		
		Stream(1)	Stream(2)	Stream(3)
	Max. frame rate for each stream ^{*3}	1920x1080(30fps)	640x360(30fps)	Off
		1280x720(30fps)	1280x720(30fps)	Off
1600x1200(30fps)		640x480(30fps)	Off	
JPEG	Image Quality	10 steps		

Network	Smart Coding	GOP(Group of pictures) control: On(Frame rate control)/ On(Advanced)/ On(Mid.)/ On(Low)/ Off AUTO VIQS: On/ Off
	Audio Compression	—
	Audio transmission mode	—
	Supported Protocol	IPv6 : TCP/IP, UDP/IP, HTTP, HTTPS, SMTP, DNS, NTP, SNMP, DHCPv6, RTP, MLD, IGMP, ARP, IEEE 802.1X, DiffServ IPv4 : TCP/IP, UDP/IP, HTTP, HTTPS, RTSP, RTP, RTP/RTCP, SMTP, DHCP, DNS, DDNS, NTP, SNMP, UPnP, IGMP, ICMP, ARP, IEEE 802.1X, DiffServ
Alarm	No. of Simultaneous Users	Up to 14 users (Depends on network conditions)
	SDXC/SDHC/SD Memory Card (Option)	H.265 recording: Manual REC / Alarm REC (Pre/Post) / Schedule REC Compatible microSDXC/microSDHC Memory Card: Panasonic 32 GB*, 64 GB**model *microSDXC card, **microSDHC card
	Mobile Terminal Compatibility	iPad, iPhone, Android™ terminals
	ONVIF Profile	G / T
Input/ Output	Alarm Source	VMD alarm, SCD alarm, Command alarm
	Alarm Actions	SDXC/SDHC/SD memory recording, E-mail notification, HTTP alarm notification Indication on browser, Panasonic alarm protocol output
General	Monitor Output(for adjustment)	—
	Audio input	—
General	Audio Output	—
	External I/O Terminals	—
	Safety	UL (UL60950-1), c-UL (CSA C22.2 No.60950-1), CE, IEC60950-1
	EMC	FCC (Part15 ClassA), ICES003 ClassA, EN55032 ClassB, EN55024
	Power Source and Power Consumption	PoE (IEEE802.3af compliant) Device: DC48 V 90 mA, Approx. 4.3 W (Class 2 device)
	Ambient Operating Temperature	-10 °C to +50 °C (+14 °F to +122 °F) {Power On range: 0 °C to +50 °C (+32°F to +122 °F)}
	Ambient Operating Humidity	10 to 90 % (no condensation)
	Dimensions	59 mm (W) x 49 mm (H) x 116 mm (D) {2-5/16 inches (W) x 1-15/16 inches (H) x 4-9/16 inches (D)} (excluding side cover)
	Mass (approx.)	155 g { 0.34 lbs.}
	Finish	Main body: PC / ABS resin, i-PRO white

^{*1} Converted value
^{*2} When "4:3(30fps mode)" or "4:3(25fps mode)" is selected for "Image capture mode", "90 °" and "270 °" cannot be selected.
^{*3} Smart Coding(GOP and AUTO VIQS) is not available when setting 30fps.

Appearance

Unit : mm (inches)



Trademarks and registered trademarks
 – iPad and iPhone are trademarks of Apple Inc., registered in the U.S. and other countries.
 – Android is a trademark of Google LLC.
 – ONVIF is trademarks or registered trademarks of Onvif Inc.
 – All other trademarks identified herein are the property of their respective owners.

Important
 – Safety Precautions : Carefully read the Basic Information, Installation Guide and Operating Instructions before using this product.
 – Panasonic i-PRO Sensing Solutions Co., Ltd. cannot be held responsible for the performance of the network and/or other manufacturers' products used on the network.

• Masses and dimensions are approximate. • Specifications are subject to change without notice.



Panasonic Corporation

Panasonic i-PRO Sensing Solutions Co., Ltd.

<https://ipro.panasonic.com>

<https://security.panasonic.com>

<https://www.linkedin.com/company/i-pro-sensing-solutions-co-ltd/>