



## Proximity Mullion Readers

### Stylish, feature packed Proximity Readers from TDSi

TDSi is pleased to offer a cost-effective and aesthetically pleasing reader range, suitable for proximity technology.

These high-quality access control card readers provide robust, reliable performance through contactless technology for a wide range of applications, making it the ideal security component for both large and small installations.

With a read range up to 10cm, these fully featured readers are available in several variations for maximum design flexibility.

## Features and Benefits

### Polycarbonate Housing

A durable and versatile plastic housing that provides an aesthetically pleasing finish.

### Fully encapsulated design

Provides maximum protection against water ingress making it suitable for internal or external installation.

### Integral LEDs

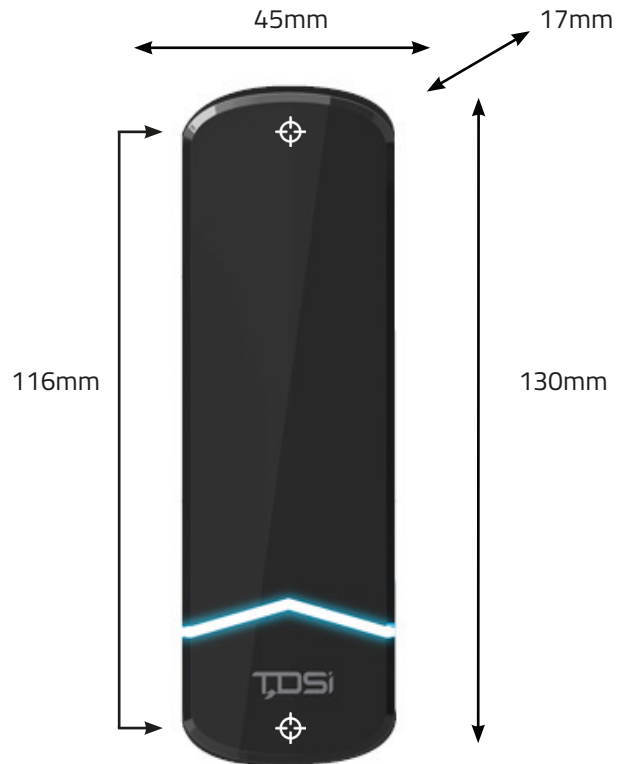
Provides clear, visual indication of access status.

### In-built sounder

Gives unambiguous feedback of card reads.

### Choice of output options

Allows connection to all standard access control panels.



## Order Information

### Part No: 5002-0600

Description: Proximity Mullion Reader - Without Keypad

### Part No: 5002-0601

Description: Proximity Mullion Reader - With Keypad

*\* Variants available for alternative card technologies*

## Specification

TDSi Part No.	5002-0600
Dimensions	45 x 130 x 17 mm
Weight	250g
Operating Environment	-20°C to + 55°C, 0 to 95% RH (non-condensing)
Power Supply	7 to 14VDC, 100mA (Max)
Operating Frequency	125KHz (Nominal)
Card Technology	EM4100, EM4102, EM4200 or compatible
Sounder	Integral
LED's	RGB
Read Range*	<100mm (ISO card)
Output Formats	Magnetic Stripe, Wiegand 26-bit** / 34-bit / 37-bit

\* Figures may vary between cards and installations

\*\* As standard. Contact TDSi for alternative configuration.

DS0142 - Issue 2



## Proximity Mullion Readers

### Stylish, feature packed Proximity Readers from TDSi

TDSi is pleased to offer a cost-effective and aesthetically pleasing reader range, suitable for proximity technology.

These high-quality access control card readers provide robust, reliable performance through contactless technology for a wide range of applications, making it the ideal security component for both large and small installations.

With a read range up to 10cm, these fully featured readers are available in several variations for maximum design flexibility.

## Features and Benefits

### Polycarbonate Housing

A durable and versatile plastic housing that provides an aesthetically pleasing finish.

### Fully encapsulated design

Provides maximum protection against water ingress making it suitable for internal or external installation.

### Integral LEDs

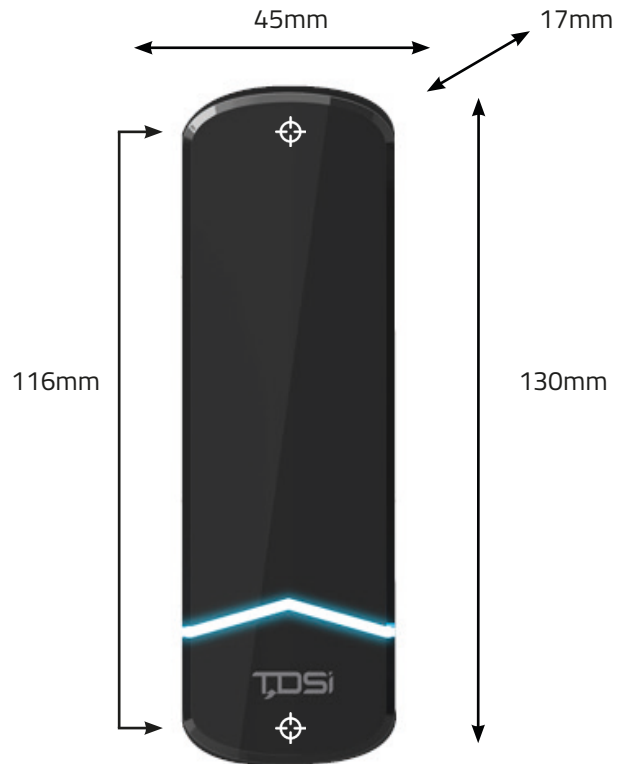
Provides clear, visual indication of access status.

### In-built sounder

Gives unambiguous feedback of card reads.

### Choice of output options

Allows connection to all standard access control panels.



## Order Information

### Part No: 5002-0600

Description: Proximity Mullion Reader - Without Keypad

### Part No: 5002-0601

Description: Proximity Mullion Reader - With Keypad

*\* Variants available for alternative card technologies*

## Specification

TDSi Part No.	5002-0600
Dimensions	45 x 130 x 17 mm
Weight	250g
Operating Environment	-20°C to + 55°C, 0 to 95% RH (non-condensing)
Power Supply	7 to 14VDC, 100mA (Max)
Operating Frequency	125KHz (Nominal)
Card Technology	EM4100, EM4102, EM4200 or compatible
Sounder	Integral
LED's	RGB
Read Range*	<100mm (ISO card)
Output Formats	Magnetic Stripe, Wiegand 26-bit** / 34-bit / 37-bit

\* Figures may vary between cards and installations

\*\* As standard. Contact TDSi for alternative configuration.

DS0142 - Issue 2

# Proximity Mullion Readers 5002-0600



Stylish and fully featured Proximity readers from TDSi.

A stylish and full featured range of mullion readers from TDSi featuring proximity technologies.

TDSi is pleased to offer high quality mullion readers in robust polycarbonate housings with excellent read range.



## Features and Benefits.

### Fully encapsulated design

Provides maximum protection against water ingress making it suitable for mounting both indoor and out.

### Integral LEDs

Provides clear visual indication of access status.

### In-built sounder

Gives unambiguous feedback of card reads.

### Choice of output options

Allows connection to the majority of access control systems.

## Dimensions



Part No.	5002-0600
Dimension	45 x 130 x 17mm
Weight	250g
Operating Environment	-20°C to +55°C, 0 to 95% RH (non-condensing)
Power Supply	7 to 14VDC, 100mA (Max)
Operating Frequency	125KHz (nominal)
Card Technology	EM4100, EM4102, EM4200 or compatible
Sounder	Integral
LED's	RGB
Read Range*	<100mm (ISO card)
Output Formats	Magnetic Stripe, Wiegand 26-bit** / 34-bit / 37-bit

## Ordering Information

Part Number: 5002-0600

Description: Proximity Mullion Reader

\*Figures may vary between cards and installation

\*\*As standard. Contact TDSi for alternative configurations

# Proximity Square Readers with Keypad 5002-0603



Stylish and fully featured Proximity card readers from TDSi.

A stylish and full featured range of square readers from TDSi featuring combinations of Proximity technologies.

TDSi is pleased to offer high quality square readers in robust polycarbonate housings with excellent read range and capacitive keypad.



## Features and Benefits.

### Fully encapsulated design

Provides maximum protection against water ingress making it suitable for mounting both indoor and out.

### Integral LEDs

Provides clear visual indication of access status.

### In-built sounder

Gives unambiguous feedback of card reads.

### Choice of output options

Allows connection to the majority of access control systems.

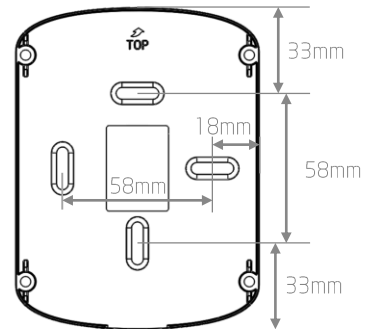
### Multiple mounting options

Allows the reader to be mounted on a single gang electrical box or directly to a non metallic surface

### Illuminated Keypad

Stylish blue backlit capacitive keypad.

## Dimensions



Part No.	5002-0603
Dimension	101 x 130 x 17mm
Weight	300g
Operating Environment	-20°C to +55°C, 0 to 95% RH (non condensing)
Power Supply	7 to 14VDC, 20mA (Max)
Operating Frequency	125KHz(nominal)
Card Technology	EM4100, EM4102, EM4200 or compatible
Sounder	Integral
LED's	RGB
Read Range*	<100mm (ISO Card)
Output Formats	Magnetic Stripe, Wiegand 26bit** / 34-bit / 37-bit

\*Figures may vary between cards and installation

\*\*As standard. Contact TDSi for alternative configurations

## Ordering Information

Part Number: 5002-0603

Description: Proximity Square Reader with Keypad

# Proximity Square Readers 5002-0602

Stylish and fully featured Proximity card readers from TDSi.

A stylish and full featured range of square readers from TDSi featuring combinations of Proximity technologies.

TDSi is pleased to offer high quality square readers in robust polycarbonate housings with excellent read range.



## Features and Benefits.

### Fully encapsulated design

Provides maximum protection against water ingress making it suitable for mounting both indoor and out.

### Integral LEDs

Provides clear visual indication of access status.

### In-built sounder

Gives unambiguous feedback of card reads.

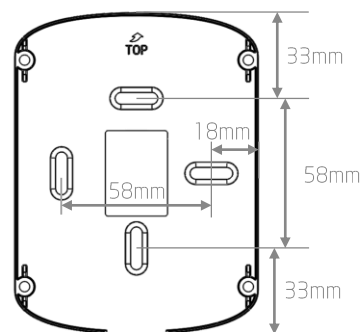
### Choice of output options

Allows connection to the majority of access control systems.

### Multiple mounting options

Allows the reader to be mounted on a single gang electrical box or directly to a non metallic surface

## Dimensions



Part No.	5002-0602
Dimensions	101 x 130 x 17 mm
Weight	300g
Operating Environment	-20°C to +55°C, 0 to 95% RH (non-condensing)
Power Supply	7 to 14 VDC, 100mA (max)
Operating frequency	125KHz (nominal)
Card technology	EM4100, EM4102, EM4200 or compatible
Sounder	Integral
LED's	RGB
Read range*	<100 mm (ISO card)
Output formats	Magnetic stripe, Wiegand 26-bit* / 34-bit / 37-bit

\*Figures may vary between cards and installation

\*\*As standard. Contact TDSi for alternative configurations

## Ordering Information

Part Number: 5002-0602

Description: Proximity Square Reader